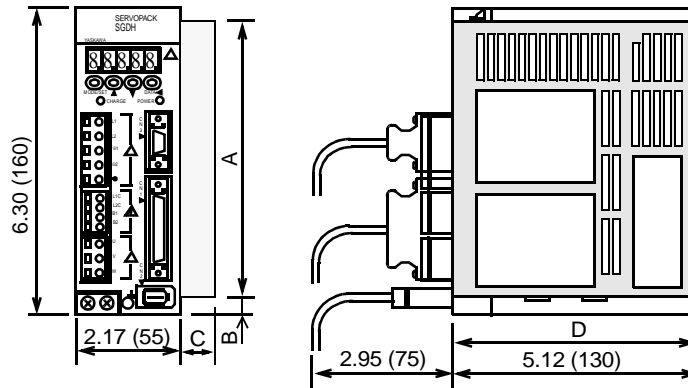


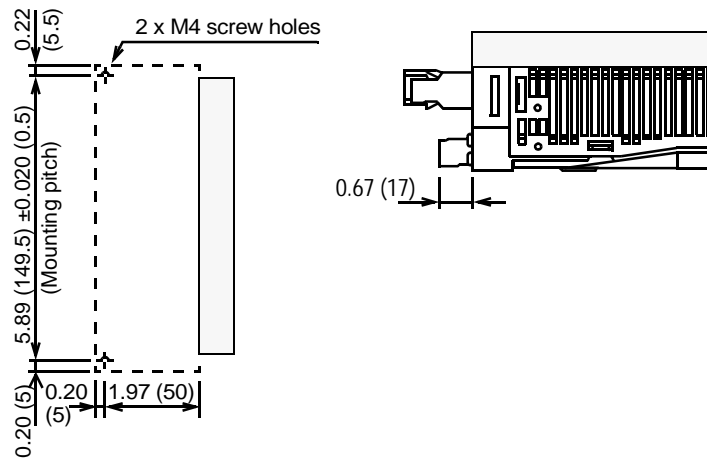
Dimensions in inches (mm)

SGDH Servo Amplifier/Application Modules

- SGDH-A3AE to -02AE (200V Single-phase, 30 to 200W) and
- SGDH-A3BE to -01BE (100V Single-phase, 30 to 100W)



Mounting Hole Diagram



Part Number	SGDH Option Description	A	B	C	D	Approximate Mass** lb (kg)
JUSP-NS100	Mechatrolink	5.59 (142)	0.35 (9)	0.79 (20)	5.08 (129)	0.44 (0.2)
JUSP-NS300	Indexer with DeviceNet™				5.24 (133)**	
JUSP-NS310	Indexer with DeviceNet™	5.67 (144)	0.32 (8)		5.08 (129)	0.44 (0.2)
JUSP-NS500	Profibus	5.59 (142)	0.35 (9)	1.22 (31)***	5.08 (129)	0.44 (0.2)
JUSP-NS600	Indexer					
JUSP-FC100	Full Closed Loop					
MP940	Single Axis Control					0.89 (0.40)

* Option card only.

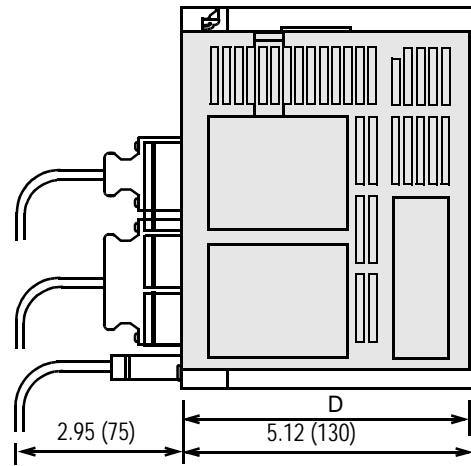
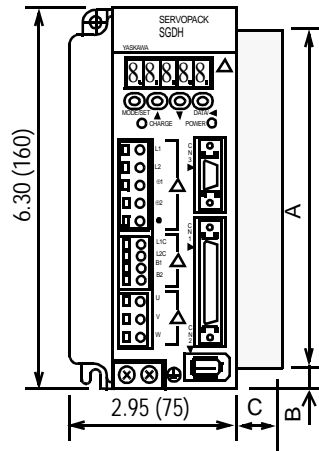
** Add 0.75in (19mm) to front end of card for micro connector.

*** Add approx. 0.75in (19mm) for optional back-up battery.

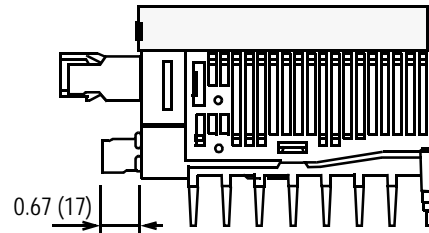
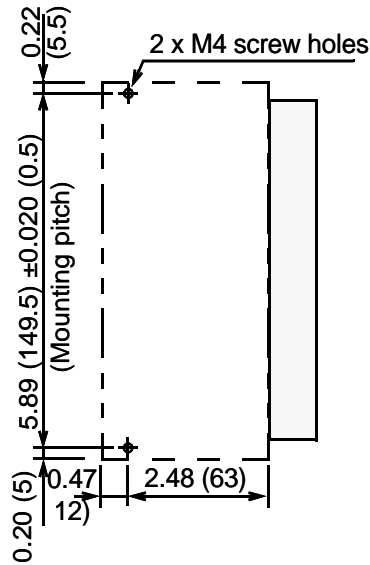
Sigma II Application Modules

Sigma II
Modules

- SGDH-04AE (200V Single-phase, 400W),
- SGDH-02BE (100V Single-phase, 200W) and
- SGDH-04FE (100V Single-phase, 400W)



Mounting Hole Diagram



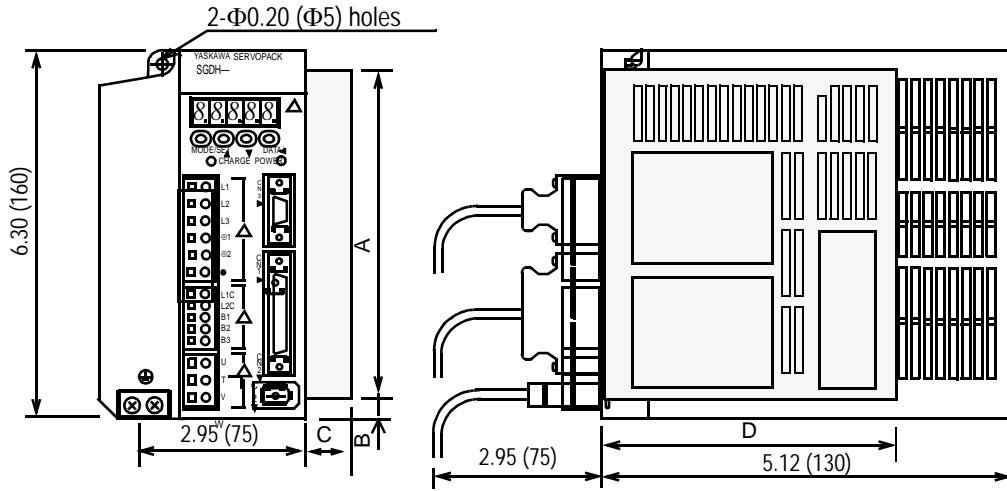
Part Number	SGDH Option Description	A	B	C	D	Approximate Mass** lb (kg)
JJSP-NS100	Mechatrolink	5.59 (142)	0.35 (9)	0.79 (20)	5.08 (129)	0.44 (0.2)
JJSP-NS300	Indexer with DeviceNet™				5.24 (133)**	
JJSP-NS310	Indexer with DeviceNet™				5.24 (133)**	
JJSP-NS500	Profibus	5.59 (142)	0.35 (9)	0.79 (20)	5.08 (129)	0.44 (0.2)
JJSP-NS600	Indexer					
JJSP-FC100	Full Closed Loop					
MP940	Single Axis Control			1.22 (31)***		0.89 (0.40)

* Option card only.

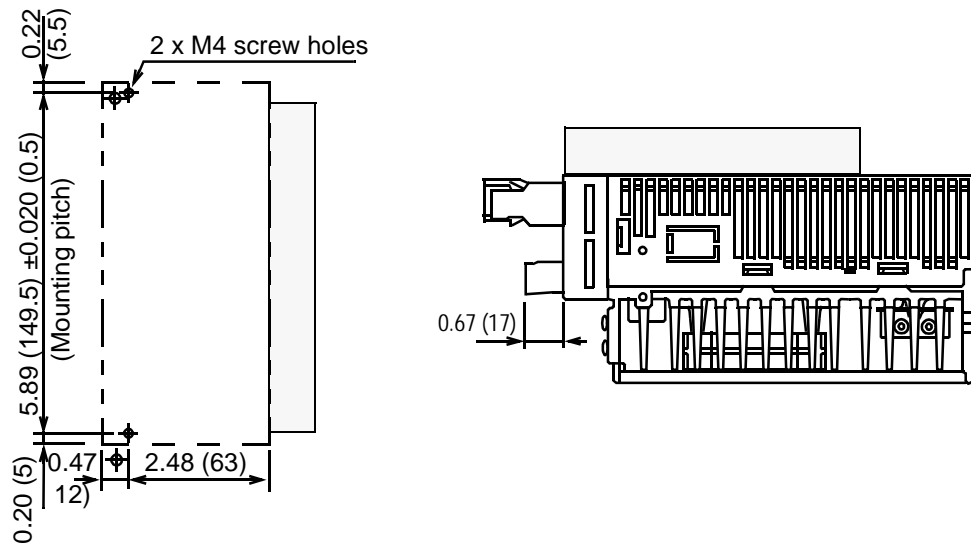
** Add 0.75in (19mm) to front end of card for micro connector.

*** Add approx. 0.75in (19mm) for optional back-up battery.

- SGDH-05AE to -10AE (200V Three-phase, 0.5 to 1.0kW)
- SGDH-08AE-S (200V* Single-phase, 750W)



Mounting Hole Diagram



Part Number	SGDH Option Description	A	B	C	D	Approximate Mass* lb (kg)
JJSP-NS100	Mechatrolink	5.59 (142)	0.35 (9)	0.79 (20)	5.08 (129)	0.44 (0.2)
JJSP-NS300	Indexer with DeviceNet™				5.24 (133)**	0.7 (0.32)
JJSP-NS310	Indexer with DeviceNet™	5.67 (144)	0.32 (8)		5.08 (129)	0.44 (0.2)
JJSP-NS500	Profibus	5.59 (142)	0.35 (9)			
JJSP-NS600	Indexer					
JJSP-FC100	Full Closed Loop			1.22 (31)***	0.89 (0.40)	
MP940	Single Axis Control					

* Option card only.

** Add 0.75in (19mm) to front end of card for micro connector.

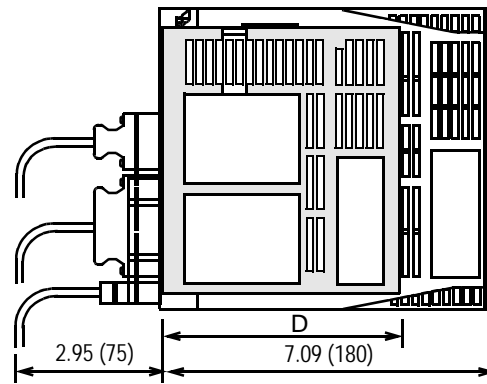
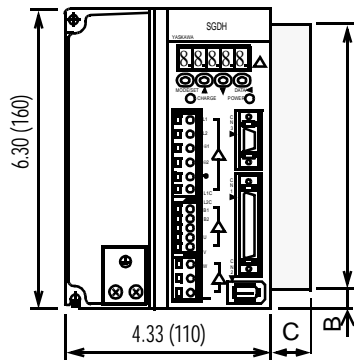
*** Add approx. 0.75in (19mm) for optional back-up battery.

* Rating 200 to 230V_{ac} +10% -5%

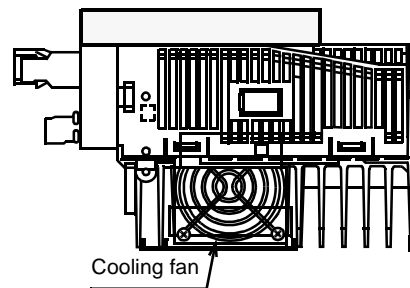
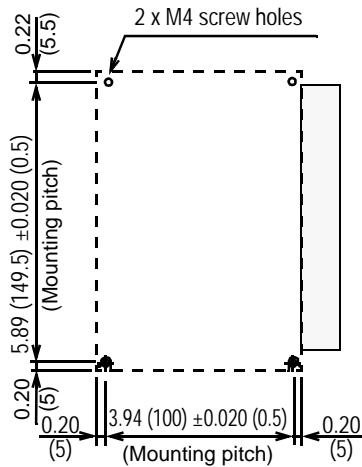
Sigma II Application Modules

- SGDH-15AE (200V Three-phase, 1.5kW)
- SGDH-05DE (400V Three-phase, 0.5kW to 1.5kW)

Sigma II
Modules



Mounting Hole Diagram



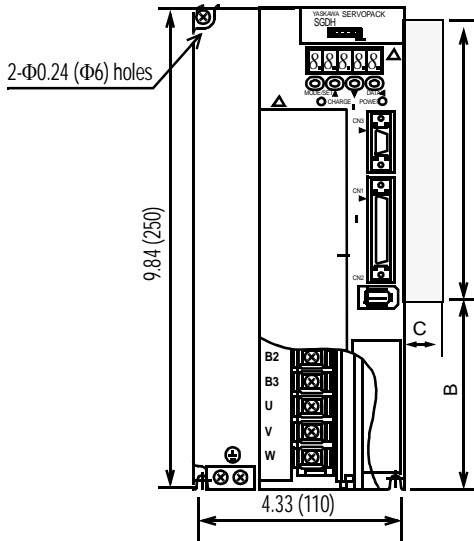
Part Number	SGDH Option Description	A	B	C	D	Approximate Mass** lb (kg)
JUSP-NS100	Mechatrolink	5.59 (142)	0.35 (9)	0.79 (20)	5.08 (129)	0.44 (0.2)
JUSP-NS300	Indexer with DeviceNet™		0.32 (8)			
JUSP-NS310	Indexer with DeviceNet™	5.67 (144)			5.24 (133)**	0.7 (0.32)
JUSP-NS500	Profibus	5.59 (142)	0.35 (9)		5.08 (129)	0.44 (0.2)
JUSP-NS600	Indexer					
JUSP-FC100	Full Closed Loop					
MP940	Single Axis Control			1.22 (31)***	0.89 (0.40)	

* Option card only.

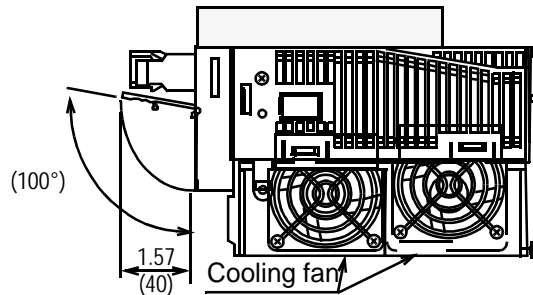
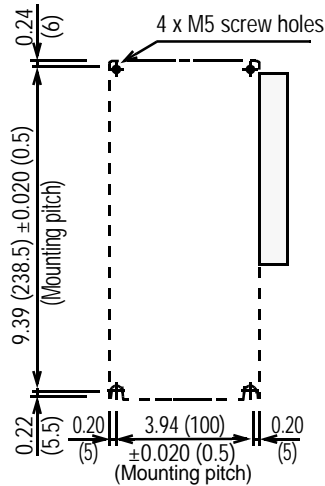
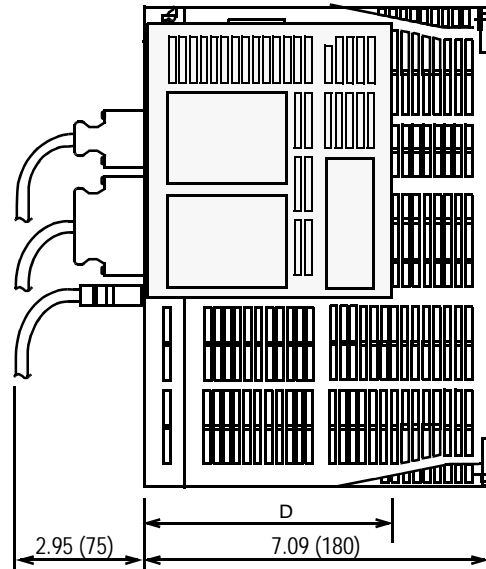
** Add 0.75in (19mm) to front end of card for micro connector.

*** Add approx. 0.75in (19mm) for optional back-up battery.

- SGDH-20AE, 30AE (200V Three-phase, 2.0kW, 3.0kW)
- SGDH-15AE-S (200V Single-phase, 1.5 kW)*
- SGDH-20DE, 30DE (400V Three-phase, 2.0kW, 3.0kW)



Mounting Hole Diagram



Part Number	SGDHG Option Description	A	B	C	D	Approximate Mass** lb (kg)
JUSP-NS100	Mechatrolink	5.59 (142)	3.9 (99)	0.79 (20)	5.08 (129)	0.44 (0.2)
JUSP-NS300	Indexer with DeviceNet™				5.24 (133)**	
JUSP-NS310	Indexer with DeviceNet™	5.67 (144)	3.86 (98)		5.08 (129)	0.7 (0.32)
JUSP-NS500	Profibus	5.59 (142)	3.9 (99)	1.22 (31)***	5.08 (129)	0.44 (0.2)
JUSP-NS600	Indexer					
JUSP-FC100	Full Closed Loop					
MP940	Single Axis Control					0.89 (0.40)

* Option card only.

** Add 0.75in (19mm) to front end of card for micro connector.

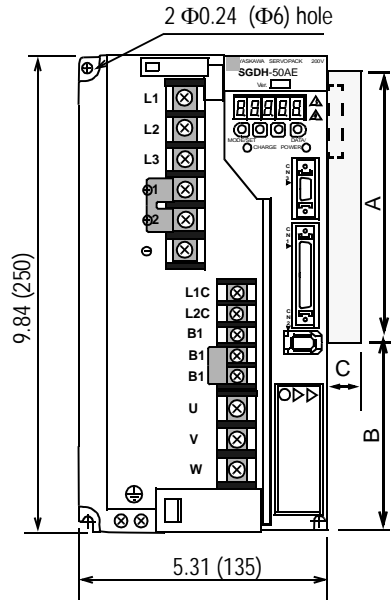
*** Add approx. 0.75in (19mm) for optional back-up battery.

* Rating: 200 to 230V_{ac} +10%, -5%

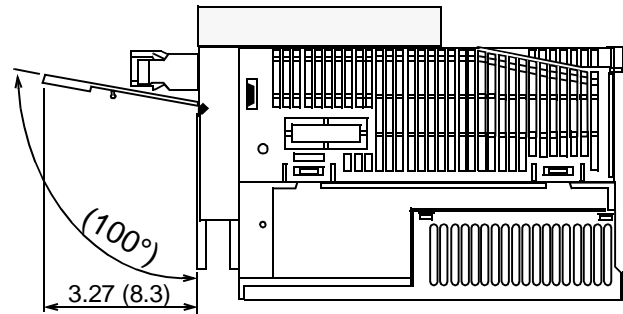
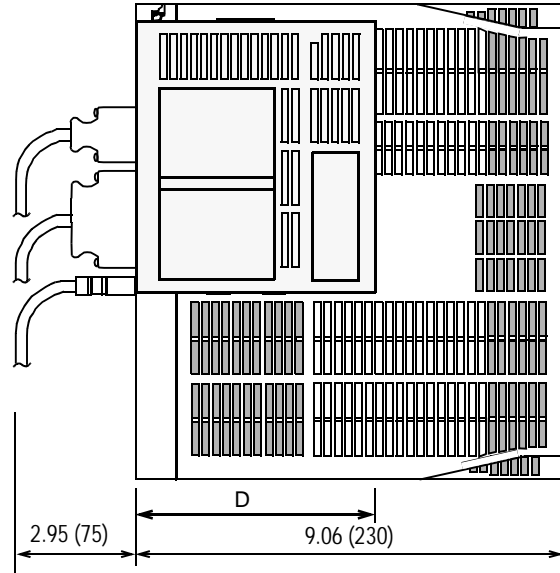
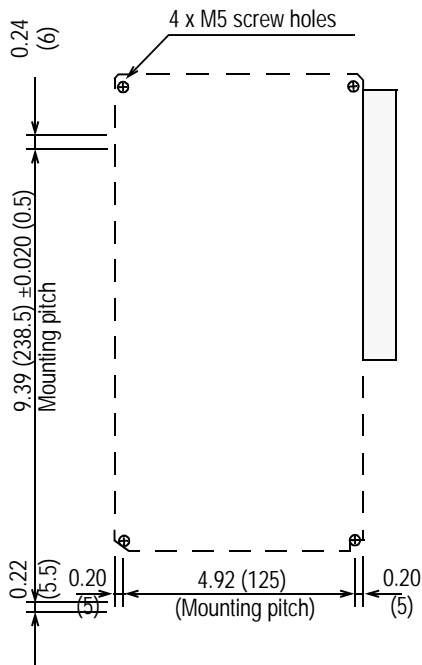
Sigma II Application Modules

- SGDH-50AE (200V Three-phase, 5.0kW)
- SGDH-50DE (400V Three-phase, 5.0kW to 1.5kW)

Sigma II Modules



Mounting Hole Diagram



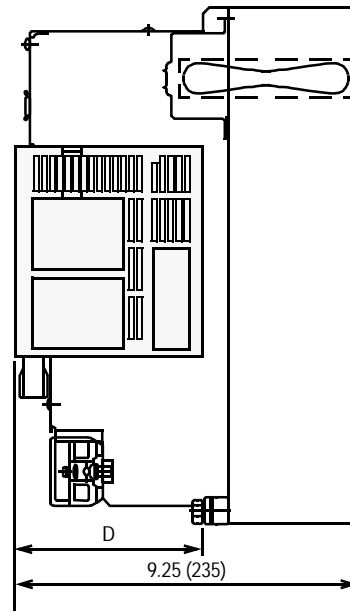
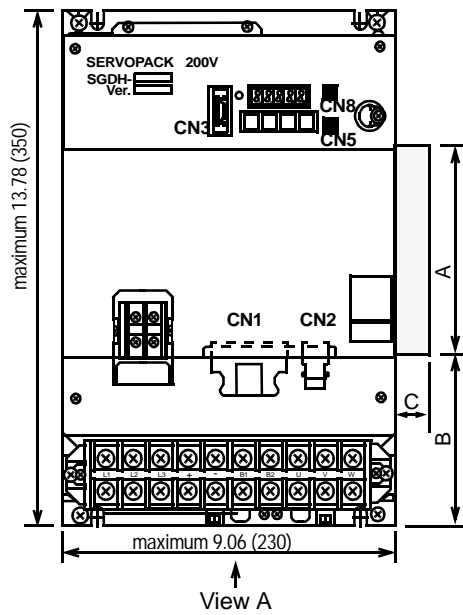
Part Number	Description	A	B	C	D	Approximate Mass** lb (kg)
JUSP-NS100	Mechatrolink	5.59 (142)	3.9 (99)	0.79 (20)	5.08 (129)	0.44 (0.2)
JUSP-NS300	Indexer with DeviceNet™				5.24 (133)**	0.7 (0.32)
JUSP-NS310	Indexer with DeviceNet™					
JUSP-NS500	Profibus	5.59 (142)	3.9 (99)	1.22 (31)***	5.08 (129)	0.44 (0.2)
JUSP-NS600	Indexer					
JUSP-FC100	Full Closed Loop					
MP940	Single Axis Control					0.89 (0.40)

** Option card only.

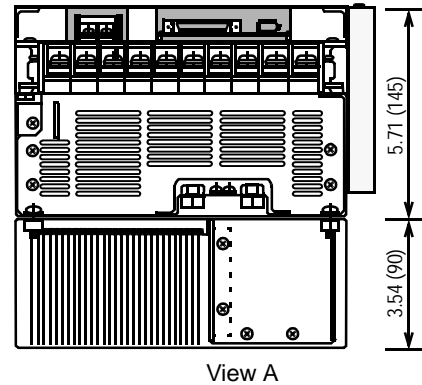
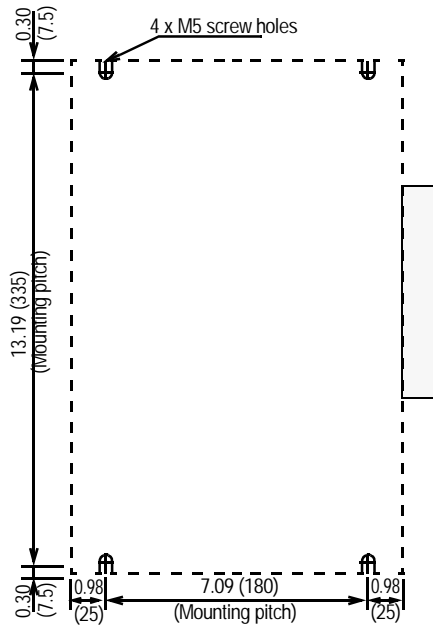
** Add 0.75in (19mm) to front end of card for micro connector.

*** Add approx. 0.75in (19mm) for optional back-up battery.

- SGDH-60AE, SGDH-75AE (200V Three-phase, 6.0kW, 7.5kW)
- SGDH-60DE, SGDH-75DE (400V Three-phase, 6.0kW, 7.5kW)



Mounting Hole Diagram



Part Number	SGDH Option Description	A	B	C	D	Approximate Mass* lb (kg)
JJSP-NS100	Mechatrolink	5.59 (142)	4.5 (114.5)	0.79 (20)	5.08 (129)	0.44 (0.2)
JJSP-NS300	Indexer with DeviceNet™				5.24 (133)**	
JJSP-NS310	Indexer with DeviceNet™	5.67 (144)	4.47 (113.5)		5.08 (129)	0.44 (0.2)
JJSP-NS500	Profibus	5.59 (142)	4.5 (114.5)			
JJSP-NS600	Indexer					
JJSP-FC100	Full Closed Loop	5.59 (142)	4.5 (114.5)	1.22 (31)***	5.08 (129)	0.89 (0.40)
MP940	Single Axis Control					

* Option card only.

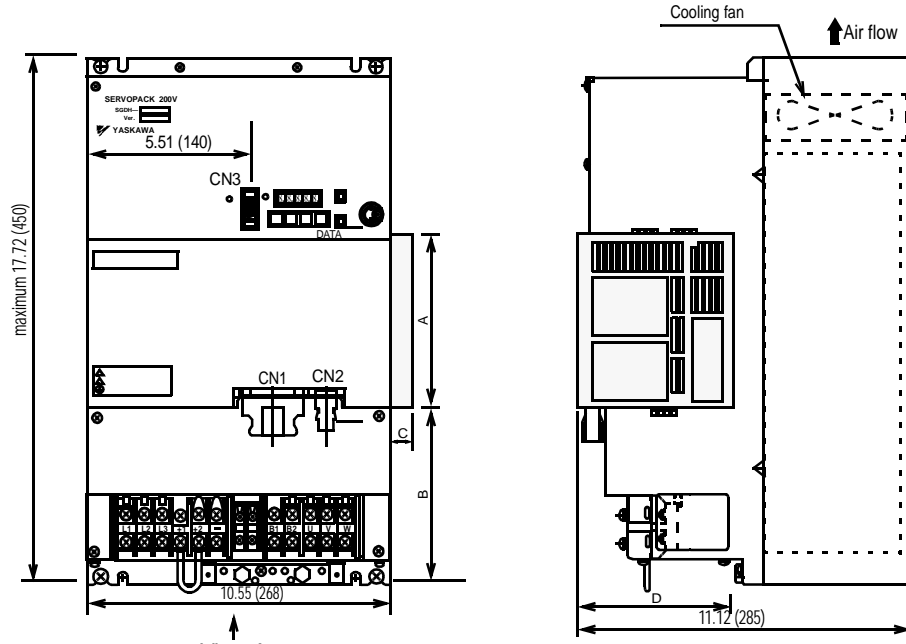
** Add 0.75in (19mm) to front end of card for micro connector.

*** Add approx. 0.75in (19mm) for optional back-up battery.

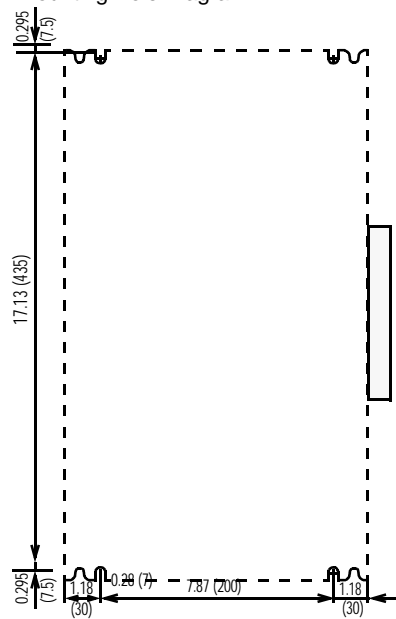
Sigma II Application Modules

- SGDH-1AAE, SGDH-1EAE (200V Three-phase, 11.0kW, 15.0kW)
- SGDH-1ADE, SGDH-1EDE (400V Three-phase, 11.0kW, 15.0kW)

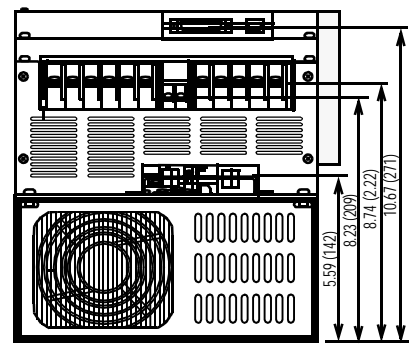
Sigma II
Modules



View A
Mounting Hole Diagram



View A:



Part Number	SGDH Option Description	A	B	C	D	Approximate Mass* lb (kg)
JUSP-NS100	Mechatrolink	5.59 (142)	4.5 (114.5)	0.79 (20)	5.08 (129)	0.44 (0.2)
JUSP-NS300	Indexer with DeviceNet™					
JUSP-NS310	Indexer with DeviceNet™				5.24 (133)**	0.7 (0.32)
JUSP-NS500	Profibus	5.59 (142)	4.5 (114.5)	0.79 (20)	5.08 (129)	0.44 (0.2)
JUSP-NS600	Indexer					
JUSP-FC100	Full Closed Loop				1.22 (31)***	0.89 (0.40)
MP940	Single Axis Control					

* Option card only.

** Add 0.75in (19mm) to front end of card for micro connector.

*** Add approx. 0.75in (19mm) for optional back-up battery.